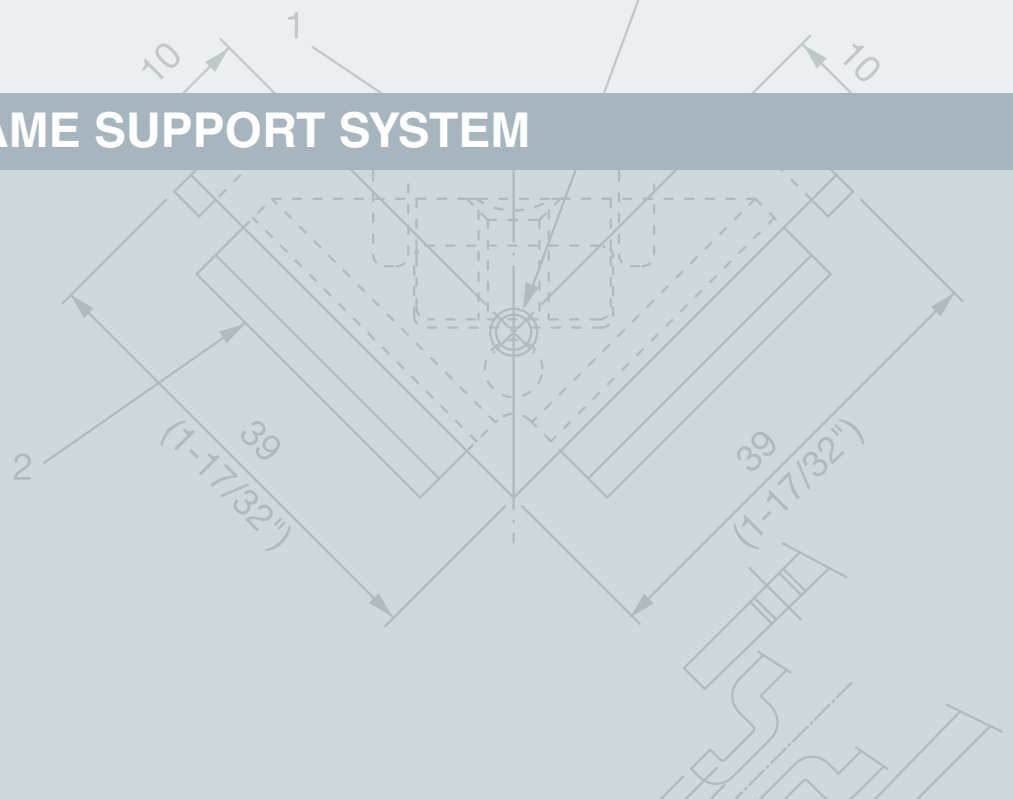


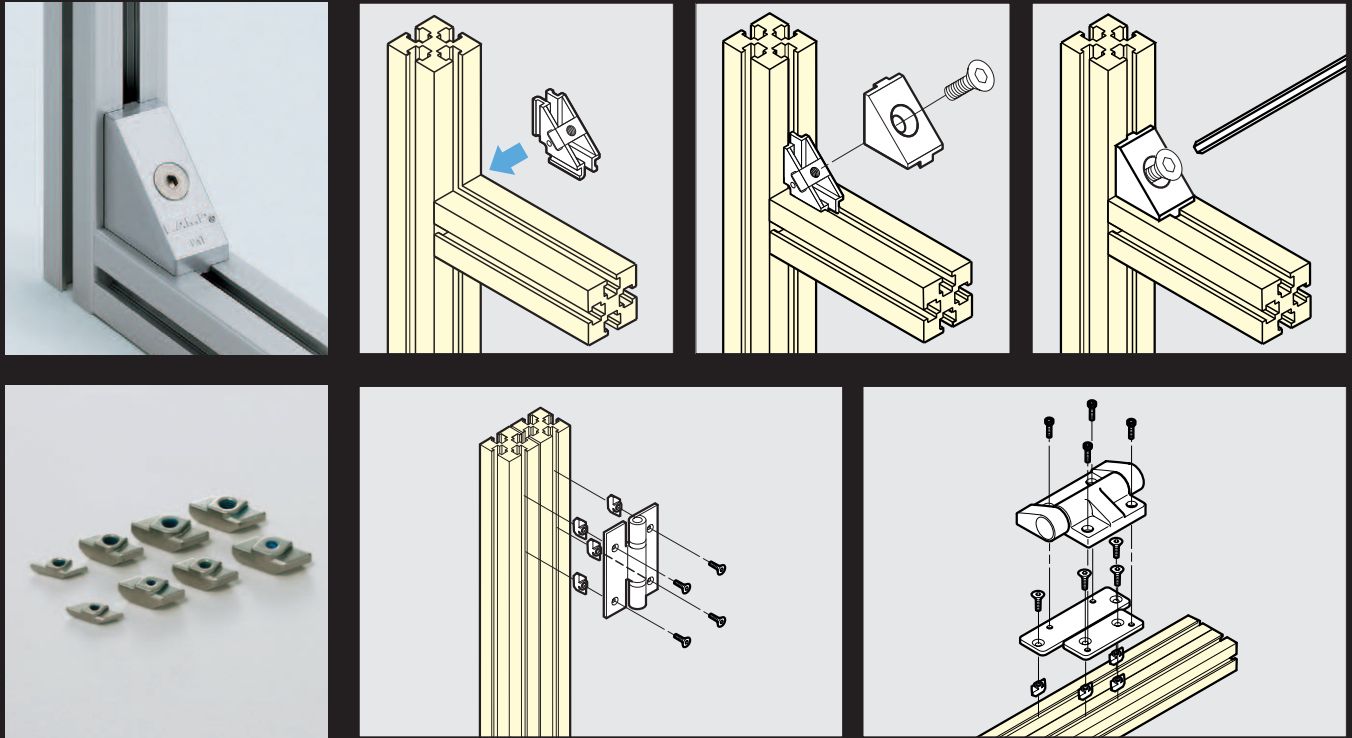


*M4 threaded hole
(one side only)

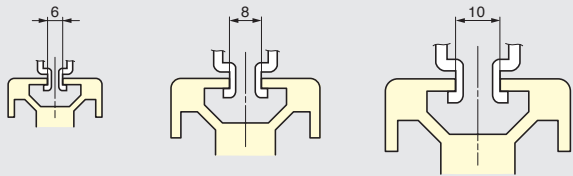
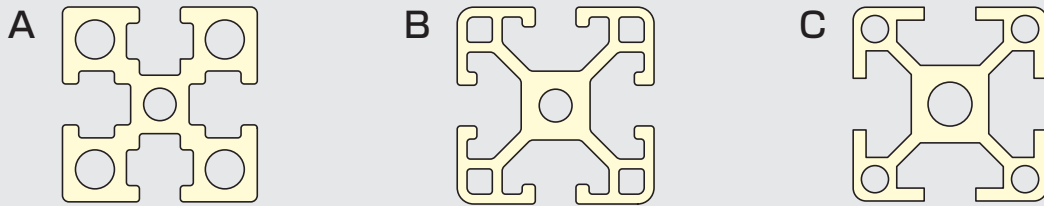
ALUMINUM FRAME SUPPORT SYSTEM



Easy assembling & installation with PJ Connector & AS Nut.



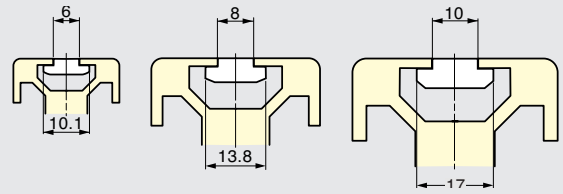
Supports different types of aluminum profiles



Groove : 6mm

Groove : 8mm

Groove : 10mm

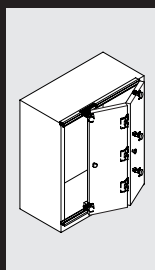
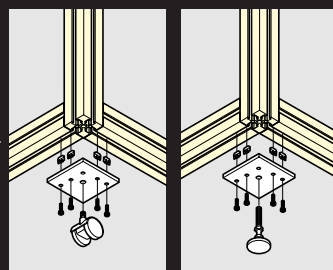
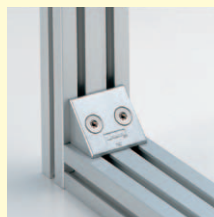
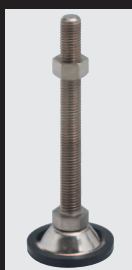


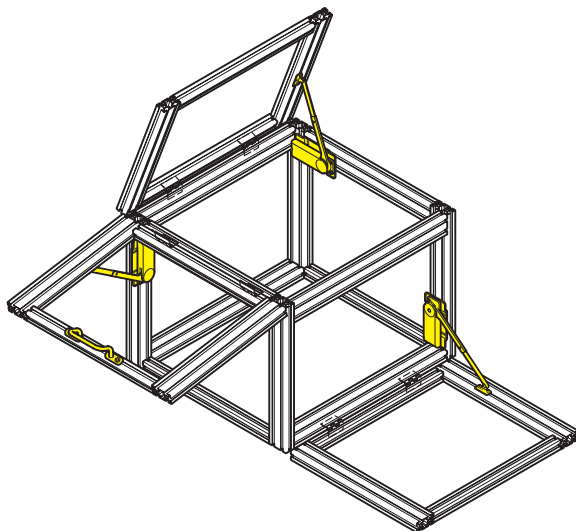
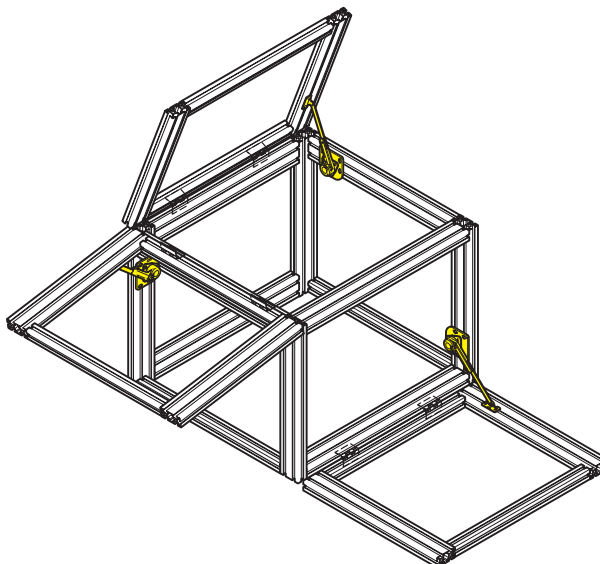
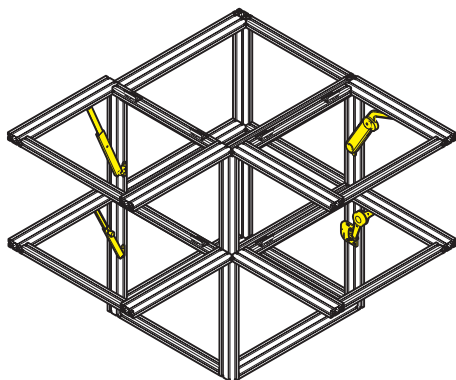
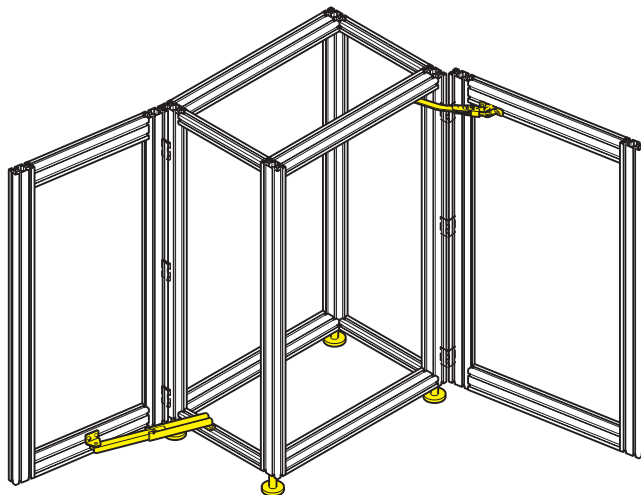
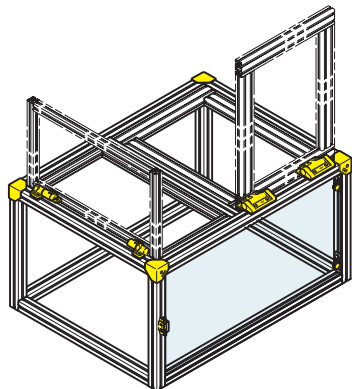
Groove : 6mm

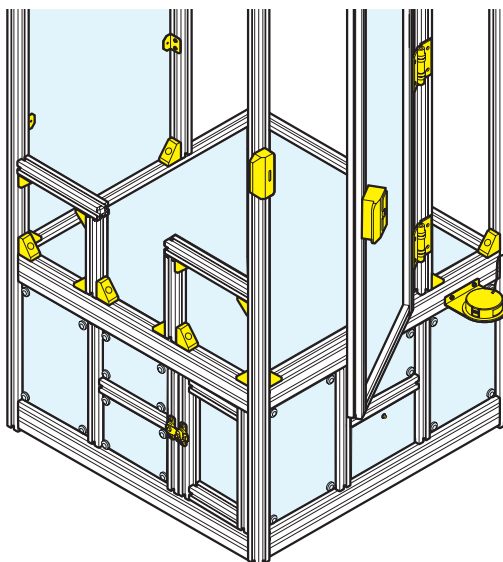
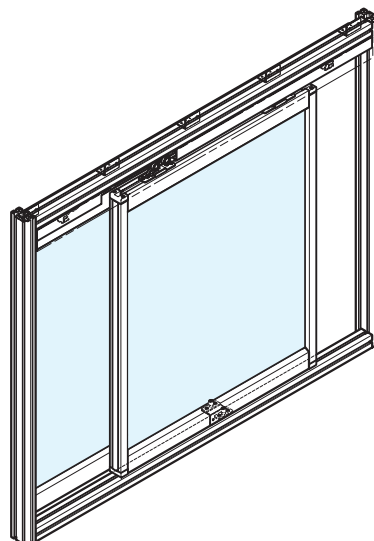
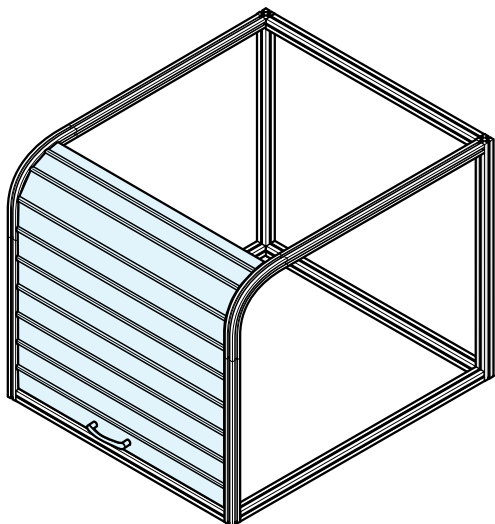
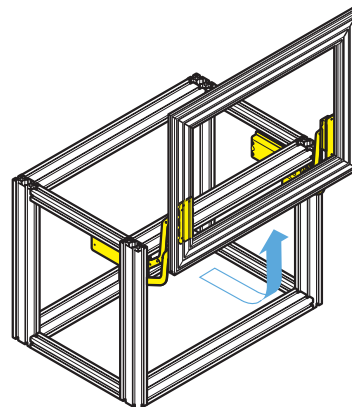
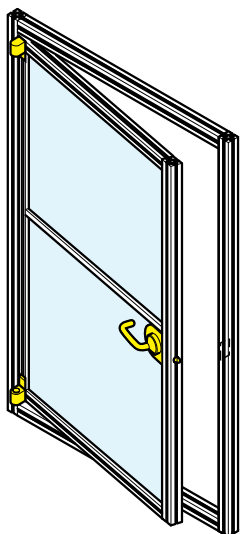
Groove : 8mm

Groove : 10mm









DROP-IN TYPE CORNER CONNECTOR

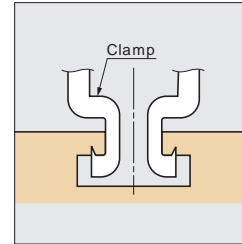
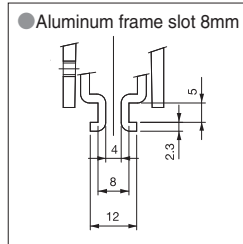
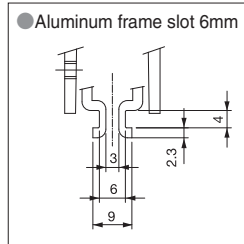
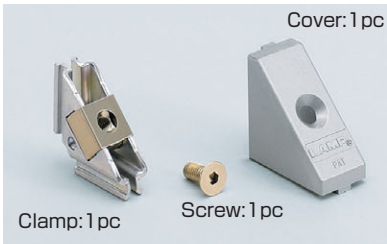


PJ-60A, 80A, 100HA

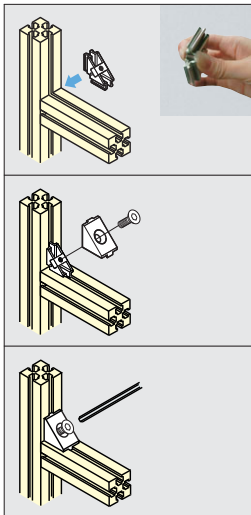
Electric conductive type



- Unique drop-in design saves frame assembly time.
- Automatic self-aligning, just tighten screw to connect frames.
- Ideal for assemblies where slide-in method is not practical.
- M4 threaded hole provided on AT type for panel installation.
- PJ-60A is designed for 6mm single slot frames.
- PJ-80A is designed for 8mm single slot frames.

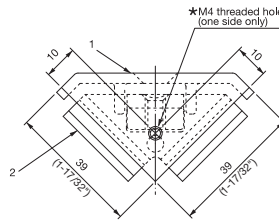
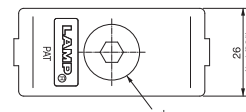
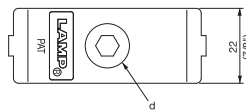


Installation

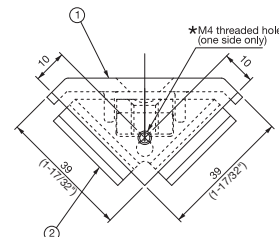


Simply insert PJ fastener into the slot.

Tighten flat head screw with allen key.



PJ-60AT (For 6mm slot frame)



PJ-80AT (For 8mm slot frame)

No.	Part Name	Material	Finish
①	Cover	Aluminum Alloy	Silver
②	Clamp	Steel	Yellow Zinc Chromate

Electric conductive type

Item Code	Item Name	M	Aluminum frame slot	A	B	C	D	E	F	d	Recommended fastening torque		Fracture load	
120-012-423	PJ-60AE	Without	6mm	55	22	10	1~3	39	B/2	M6×16	6N·m	61.2kgf·cm	284N	29kgf
120-012-424	PJ-60ATE	M4	6mm	55	22	10	1~3	39	B/2	M6×16	6N·m	61.2kgf·cm	284N	29kgf
120-012-425	PJ-80AE	Without	8mm	55	26	10	1.5~4.5	39	B/2	M8×16	13N·m	133kgf·cm	392N	40kgf
120-012-426	PJ-80ATE	M4	8mm	55	26	10	1.5~4.5	39	B/2	M8×16	13N·m	133kgf·cm	392N	40kgf

Standard type

Item Code	Item Name	M	Aluminum frame slot	A	B	C	D	E	F	d	Recommended fastening torque		Breaking load	
120-041-251	PJ-60A	Without	6mm	55	22	10	1~3	39	B/2	M6×16	6N·m	61.2kgf·cm	284N	29kgf
120-041-250	PJ-60AT	M4	6mm	55	22	10	1~3	39	B/2	M6×16	6N·m	61.2kgf·cm	284N	29kgf
120-041-253	PJ-80A	Without	8mm	55	26	10	1.5~4.5	39	B/2	M8×16	13N·m	133kgf·cm	392N	40kgf
120-041-252	PJ-80AT	M4	8mm	55	26	10	1.5~4.5	39	B/2	M8×16	13N·m	133kgf·cm	392N	40kgf
120-040-557	PJ-80HA	M5	8mm	57	25	12	1.5~4.7	40	15	M6×18	6N·m	61.2kgf·cm	392N	40kgf
120-040-558	PJ-100HA	M5	10mm	71	32.5	12	4.5~7	50	15	M8×25	13N·m	133kgf·cm	833N	85kgf

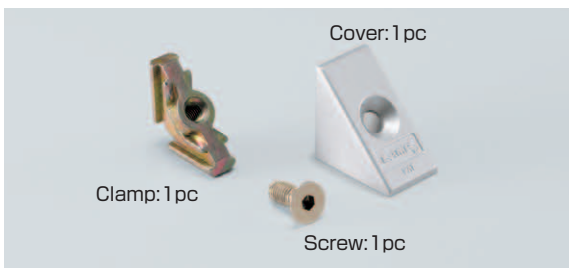
SLIDE-IN TYPE CORNER CONNECTOR



PJ-60, 80, 100

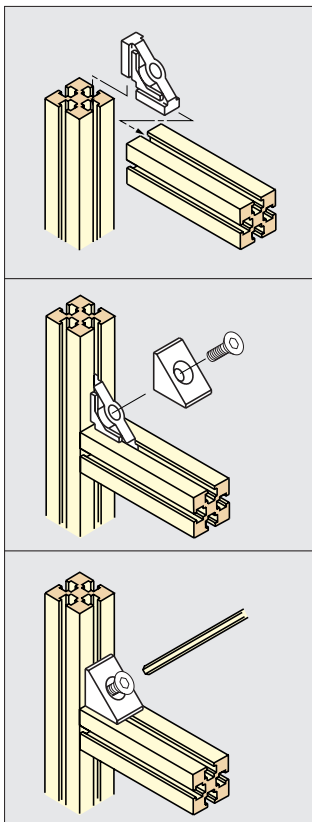


- Unique drop-in design saves frame assembly time.
- Automatic self-aligning, just tighten screw to connect frames.
- Ideal for assemblies where slide-in method is not practical.
- M4 threaded hole provided on AT type for panel installation.
- PJ-60A is designed for 6mm single slot frames.
- PJ-80A is designed for 8mm single slot frames.



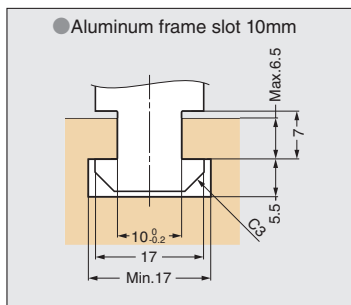
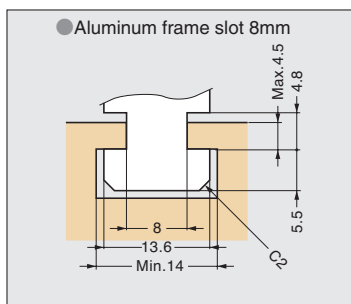
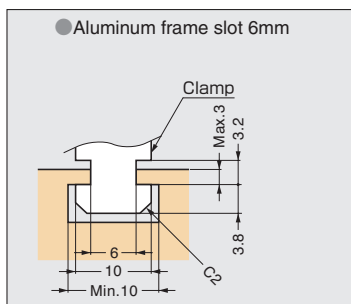
No.	Part Name	Material	Finish
①	Cover	Aluminum Alloy	Silver
②	Clamp	Steel	Yellow Zinc Chromate

Installation



Simply insert PJ fastener into the slot.

Tighten flat head screw with allen key.



Item Code	Item Name	d ₁	Aluminum frame slot	A	B	C	D	d ₂	Recommended fastening torque
120-040-456	PJ-60	Without	6mm	41	20	29	1~3	M6×15	6N · m 61.2kgf · cm
120-040-554	PJ-60T	M4	6mm	41	20	29	1~3	M6×15	6N · m 61.2kgf · cm
120-040-490	PJ-80	Without	8mm	55	25	39	1.5~4.5	M8×20	13N · m 133kgf · cm
120-040-555	PJ-80T	M4	8mm	55	25	39	1.5~4.5	M8×20	13N · m 133kgf · cm
120-040-551	PJ-100	Without	10mm	70	30	49	3.5~6.5	M10×25	26N · m 265kgf · cm
120-040-550	PJ-100T	M4	10mm	70	30	49	3.5~6.5	M10×25	26N · m 265kgf · cm

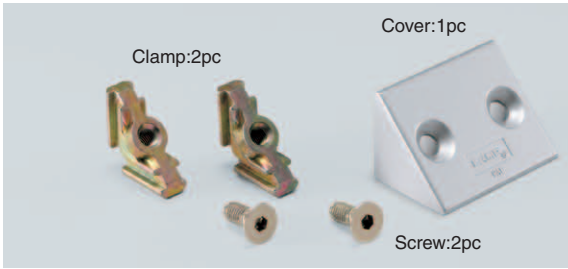
SLIDE-IN TYPE CORNER CONNECTOR



PJ-60W, 80W

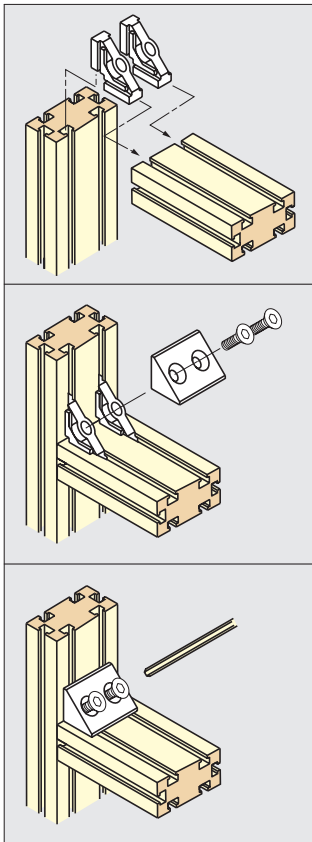


- Tighten only one screw (two for PJ-60W) to connect frames. Integral clamps eliminate need to align separate nuts and bolts.
- Simplified slide-in design saves frame assembly time.
- PJ-60W is designed for 30mm pitch, 6mm double slotted frames.
- PJ-100 is designed for 10mm single slot frames.
- M4 threaded hole provided on PJ-100T for panel installation.



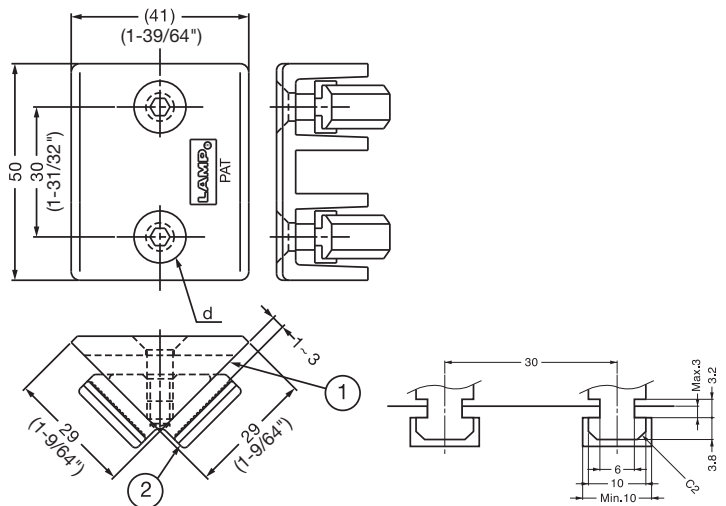
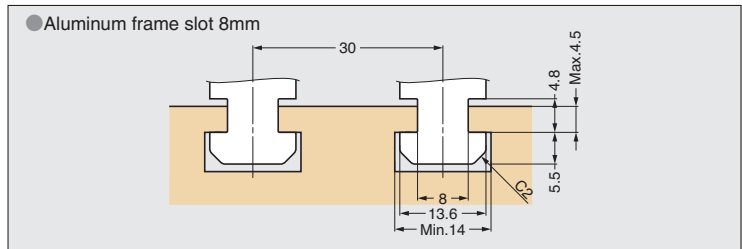
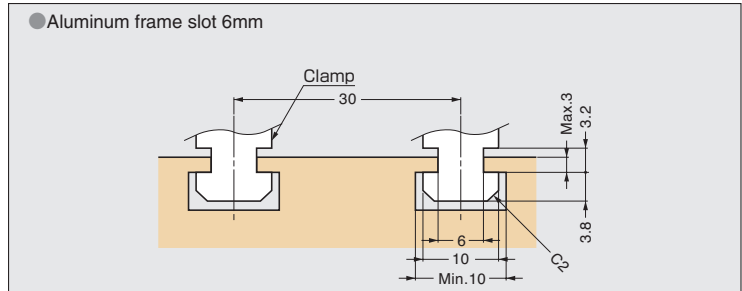
No.	Part Name	Material	Finish
①	Cover	Aluminum Alloy	Silver
②	Clamp	Zinc Alloy	Yellow Zinc Chromate

Installation



Simply insert PJ fastener into the slot.

Tighten flat head screw with allen key.



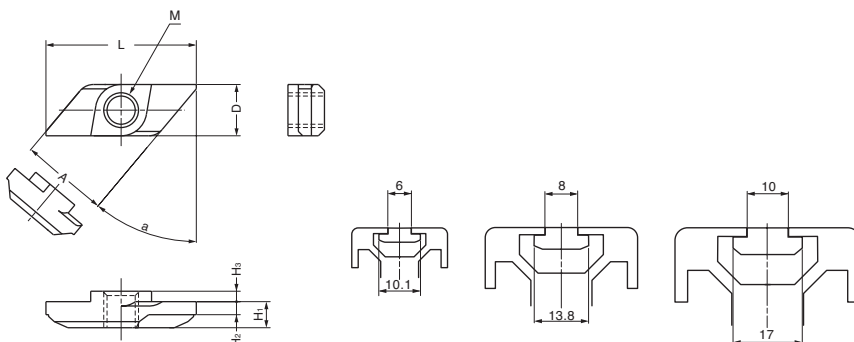
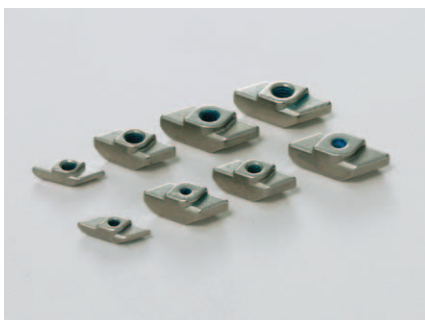
PJ-60W (For 6mm double slotted frame)

Item Code	Item Name	d ₁	Aluminum frame slot	A	B	C	D	d ₂	Recommended fastening torque
120-040-488	PJ-60W30	Without	6mm	41	50	29	1~3	M6×15	6N · m 61.2kgf · cm
120-040-556	PJ-60W30T	M4	6mm	41	50	29	1~3	M6×15	6N · m 61.2kgf · cm
120-040-552	PJ-80W30	Without	8mm	55	55	39	1.5~4.5	M8×20	13N · m 133kgf · cm
120-040-553	PJ-80W30T	M4	8mm	55	55	39	1.5~4.5	M8×20	13N · m 133kgf · cm

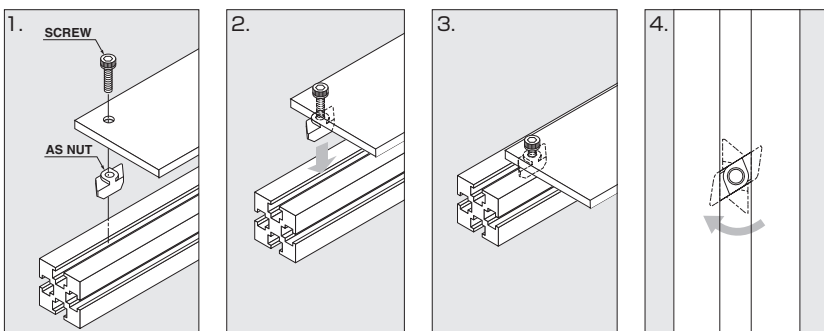
FIXING NUTS FOR ALUMINUM PROFILE



AS-6M, 8M, 10M



Installation

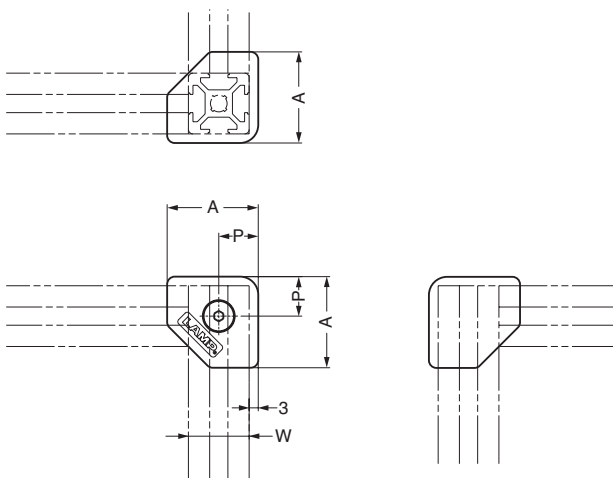
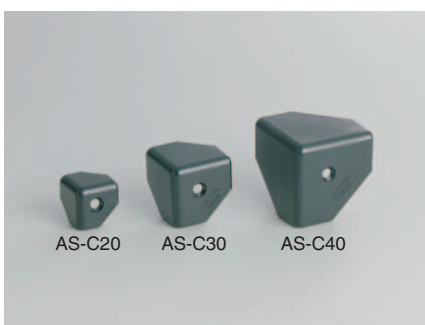


Item Code	Item Name	Spec.	M	L	D	A	H ₁	H ₂	H ₃	a	Material	Finish	Recommended fastening torque		Weight
120-040-676	AS-6M3	6mm	M3	17.3	5.9	10.1	3	1.5	1.2	40°	Stainless Steel (SUS316)	Polished	0.63N·m~1.14N·m	6.4kgf·cm~11.6kgf·cm	1.9g
120-040-684	AS-6M4	6mm	M4	17.3	5.9	10.1	3	1.5	1.2	40°	Stainless Steel (SUS316)	Polished	1.5N·m~2.7N·m	15.3kgf·cm~27.5kgf·cm	1.3g
120-040-677	AS-8M3	8mm	M3	20	7.9	13.8	6	3	1.5	32°	Stainless Steel (SUS316)	Polished	0.63N·m~1.14N·m	6.4kgf·cm~11.6kgf·cm	4.3g
120-040-685	AS-8M4	8mm	M4	20	7.9	13.8	6	3	1.5	32°	Stainless Steel (SUS316)	Polished	1.5N·m~2.7N·m	15.3kgf·cm~27.5kgf·cm	4.1g
120-040-686	AS-8M5	8mm	M5	20	7.9	13.8	6	3	1.5	32°	Stainless Steel (SUS316)	Polished	3N·m~5.4N·m	30.6kgf·cm~55.1kgf·cm	3.9g
120-040-678	AS-10M4	10mm	M4	24	9.9	17	6	3	1.8	32°	Stainless Steel (SUS316)	Polished	1.5N·m~2.7N·m	15.3kgf·cm~27.5kgf·cm	7g
120-040-687	AS-10M5	10mm	M5	24	9.9	17	6	3	1.8	32°	Stainless Steel (SUS316)	Polished	3N·m~5.4N·m	30.6kgf·cm~55.1kgf·cm	7g
120-040-679	AS-10M6	10mm	M6	24	9.9	17	6	3	1.8	32°	Stainless Steel (SUS316)	Polished	5.2N·m~9.2N·m	53kgf·cm~93.8kgf·cm	6g

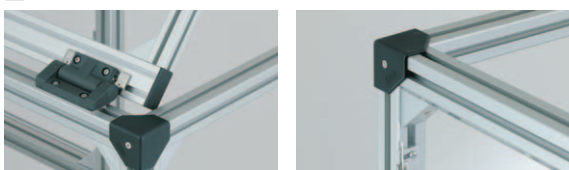
CORNER CAP PAT.P



AS-C



Installation



Item Code	Item Name	Frame Slot	A	P	W	Material	Color	Weight	1box	1carton
210-040-680	AS-C20	20×20mm Aluminum Frame Slot 6mm	30	13	20	Polyamide	Black	6g	200pcs	1600pcs
210-040-681	AS-C30	30×30mm Aluminum Frame Slot 8mm	43	18	30	Polyamide	Black	14g	50pcs	400pcs
210-040-682	AS-C40	40×40mm Aluminum Frame Slot 8mm, 40×40mm Aluminum Frame Slot 10mm	58	23	40	Polyamide	Black	29g	25pcs	200pcs